

# P34FL

Vogt Tube-Ice Machines



## Standard Features

- 3 Ice Sizes:  
7/8", 1 1/8", 1 3/8" diameter
- Up to 50 tons per day
- 25 Year Lifetime Factory Warranty\*
- Stainless Steel Water Pump with TEFC Motor
- R22 Refrigerant
- Factory Tested and Certified
- Easily Maintained Stainless Steel Cutter and Water Tank
- Controls U.L. Approved
- High Energy Efficiency

## Options

- Stainless Steel Shell
- PLC Ready
- Crushed Ice

\*Please see your dealer for details.

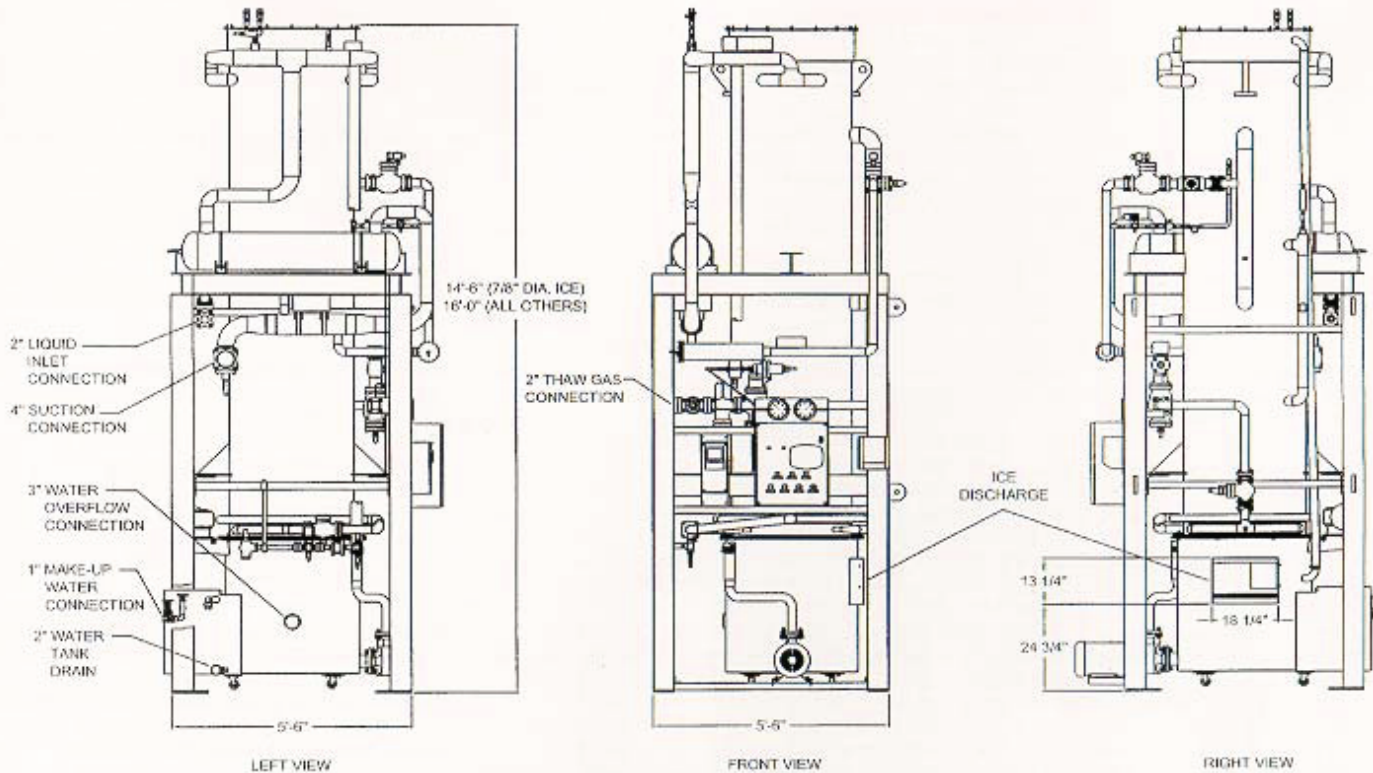
**Vogt**  
Tube-Ice



**"ORDER BY 4:00 AND OUT THE DOOR!"**

5709 Harrison Ave. • Cincinnati, OH 45248  
1.800.543.1581 • [modernice.com](http://modernice.com)

# VOGT TUBE-ICE® MACHINES



## SPECIFICATIONS

### MODEL P34FL (R-22 Refrigerant)

#### STANDARD CAPACITY, TONS PER 24 HOURS

WATER TEMP.	7/8" DIA. ICE			1 1/8" DIA. ICE			1 3/8" DIA. ICE					
	80 °F	52.2			47.5			43.4				
70 °F	54.6			49.8			45.5					
60 °F	57.1			52.4			47.9					
50 °F	59.9			55.2			50.5					
WEIGHT (LBS)	OPERATING:13,550 SHIPPING: 12,500			OPERATING:14,350 SHIPPING: 12,950			OPERATING:14,100 SHIPPING: 12,500					
STANDARD ELECTRICAL	230 V, 3P, 60 Hz - 460V, 3P, 60 Hz - 400V, 3P, 50 Hz (OPTIONAL ELECTRICAL ARRANGEMENTS ON REQUEST)											
CAPACITY TABLE, TONS PER 24 HOURS (AT SUCTION TEMPERATURE °F)												
WATER TEMPERATURE	0			5			15			20		
	7/8"	1 1/8"	1 3/8"	7/8"	1 1/8"	1 3/8"	7/8"	1 1/8"	1 3/8"	7/8"	1 1/8"	1 3/8"
80 °F	60.6	61.9	56.7	55.3	56.0	51.2	38.9	38.5	35.1	29.5	28.8	26.2
70 °F	63.2	64.8	59.3	57.7	58.6	53.6	40.8	40.4	36.9	31.0	30.3	27.6
60 °F	66.0	67.9	62.2	60.3	61.5	56.3	42.8	42.6	38.9	32.6	31.9	29.1
50 °F	69.0	71.3	65.4	63.2	64.7	59.3	45.1	45.0	41.1	34.5	33.8	30.8

NOTE: STANDARD CAPACITY BASED ON SUCTION TEMPERATURE OF 10 °F AND AN AMBIENT (AIR) TEMPERATURE OF 90 °F

Vogt reserves the right to change designs and specifications without notice.

**Vogt**  
**Ice**<sub>uc</sub>



**"ORDER BY 4:00 AND OUT THE DOOR!"**

5709 Harrison Ave. • Cincinnati, OH 45248

1.800.543.1581 • modernice.com