

P34AL-15

Vogt Tube-Ice Machines



Standard Features

- 3 Ice Sizes:
7/8", 1 1/8", 1 3/8" diameter
- Highest Capacity:
up to 110 tons per day
- 25 Year Lifetime Factory
Warranty*
- Stainless Steel Water Pump
with TEFC Motor
- Standard Stainless Steel Shell
(on 1" and 1 1/4" Tube Units)
- Ammonia or R22 Refrigerant
- Easily Maintained Stainless Steel
Cutter and Water Tank
- Controls U.L. Approved

Options

- Available as Liquid Overfeed
- All Stainless Frame
- Remote Control Panel
- Crushed Ice
- PLC Ready

*Please see your dealer for details.

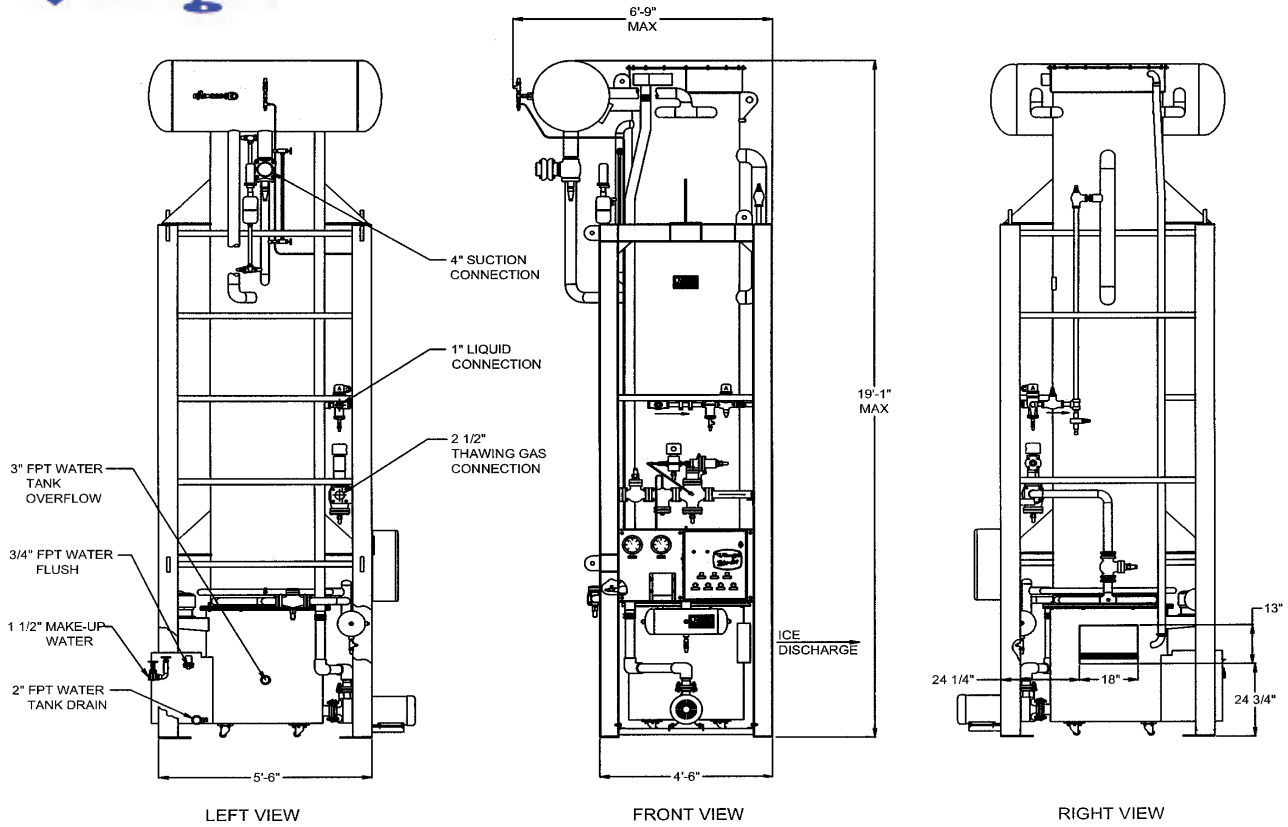
Vogt
Tube-Ice



"ORDER BY 4:00 AND OUT THE DOOR!"

5709 Harrison Ave. • Cincinnati, OH 45248
1.800.543.1581 • modernice.com

Vogt Tube-Ice Machines



SPECIFICATIONS

MODEL P34AL-15 (Ammonia Refrigerant)

STANDARD CAPACITY, TONS PER 24 HOURS

WATER TEMP.	7/8" DIA. ICE	1 1/8" DIA. ICE	1 3/8" DIA. ICE
80 °F	73.2	70.4	53.9
70 °F	76.0	73.6	56.6
60 °F	79.1	77.1	59.5
50 °F	82.5	80.9	62.7
WEIGHT (LBS)	OPERATING: 15,400 SHIPPING: 11,700	OPERATING: 16,200 SHIPPING: 12,300	OPERATING: 16,100 SHIPPING: 12,000

STANDARD ELECTRICAL

230 V, 3P, 60 Hz - 460V, 3P, 60 Hz - 400V, 3P, 50 Hz
(OPTIONAL ELECTRICAL ARRANGEMENTS ON REQUEST)

CAPACITY TABLE, TONS PER 24 HOURS (AT SUCTION TEMPERATURE °F)

WATER TEMPERATURE	0			5			15			20		
	7/8"	1 1/8"	1 3/8"	7/8"	1 1/8"	1 3/8"	7/8"	1 1/8"	1 3/8"	7/8"	1 1/8"	1 3/8"
80 °F	91.8	91.7	71.5	83.1	81.6	63.1	61.7	58.0	44.0	48.3	44.3	33.2
70 °F	94.9	95.5	74.7	86.1	85.1	66.0	64.3	60.8	46.3	50.5	46.5	35.0
60 °F	98.2	99.6	78.2	89.4	88.9	69.3	67.1	63.9	48.7	53.0	49.0	36.9
50 °F	101.8	104.0	82.1	92.9	93.1	72.8	70.2	67.3	51.5	55.6	51.8	39.2

NOTE: STANDARD CAPACITY BASED ON SUCTION TEMPERATURE OF 10 °F AND AN AMBIENT (AIR) TEMPERATURE OF 90 °F

Vogt reserves the right to change designs and specifications without notice.



"ORDER BY 4:00 AND OUT THE DOOR!"

5709 Harrison Ave. • Cincinnati, OH 45248 • 1.800.543.1581 • modernice.com