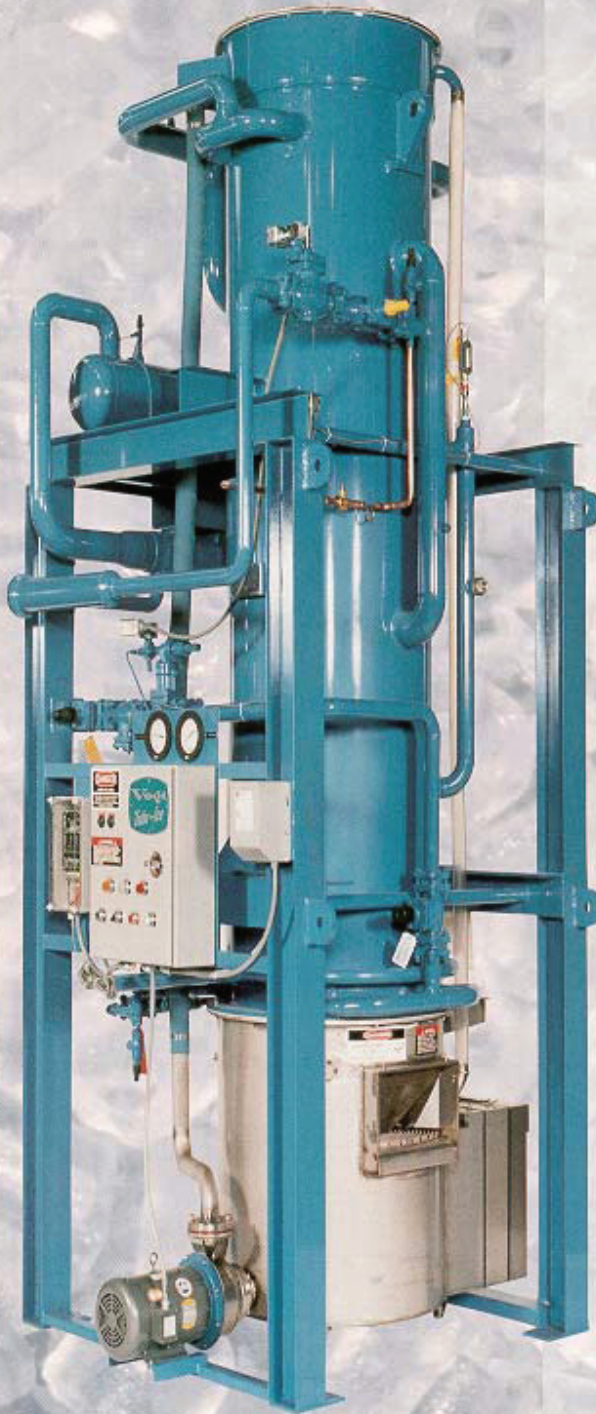


# P24FL

Vogt Tube-Ice Machines



## Standard Features

- 3 Ice Sizes:  
7/8", 1 1/8", 1 3/8" diameter
- Up to 25 tons per day
- 25 Year Lifetime Factory Warranty\*
- Stainless Steel Water Pump with TEFC Motor
- R22 Refrigerant
- Factory Tested and Certified
- Easily Maintained Stainless Steel Cutter and Water Tank
- Controls U.L. Approved
- High Energy Efficiency

## Options

- Stainless Steel Shell
- PLC Ready
- Crushed Ice

\*Please see your dealer for details.

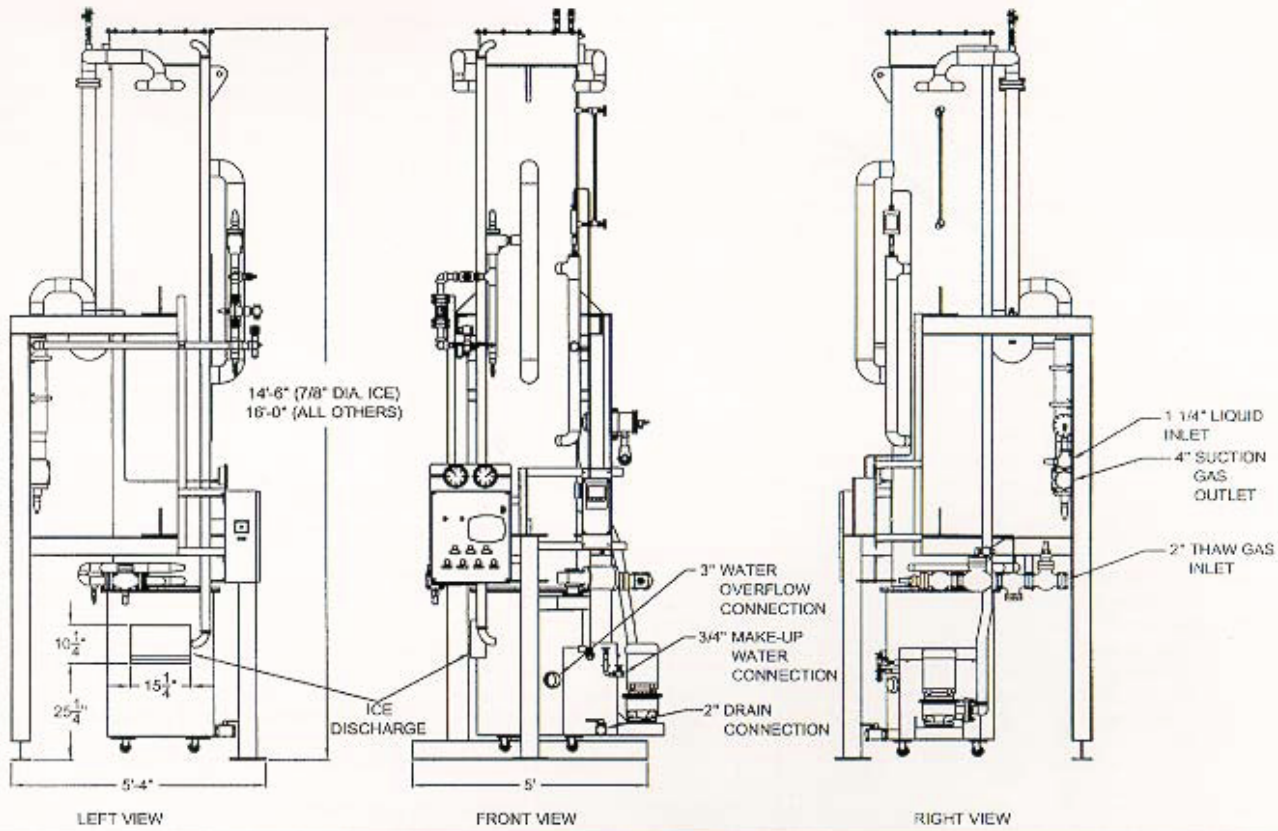
**Vogt**  
**Tube-Ice**



**"ORDER BY 4:00 AND OUT THE DOOR!"**

5709 Harrison Ave. • Cincinnati, OH 45248  
1.800.543.1581 • [modernice.com](http://modernice.com)

# VOGT TUBE-ICE® MACHINES



## SPECIFICATIONS

MODEL P24FL (R-22 Refrigerant)

### STANDARD CAPACITY, TONS PER 24 HOURS

WATER TEMP.	7/8" DIA. ICE	1 1/8" DIA. ICE	1 3/8" DIA. ICE
80 °F	21.0	22.5	20.2
70 °F	22.1	23.7	21.3
60 °F	23.3	25.1	22.6
50 °F	24.7	26.6	24.0
WEIGHT (LBS)	OPERATING: 7,150 SHIPPING: 9,400	OPERATING: 7,700 SHIPPING: 6,200	OPERATING: 7,700 SHIPPING: 6,200

STANDARD ELECTRICAL

230 V, 3P, 60 Hz - 460V, 3P, 60 Hz - 400V, 3P, 50 Hz  
(OPTIONAL ELECTRICAL ARRANGEMENTS ON REQUEST)

### CAPACITY TABLE, TONS PER 24 HOURS (AT SUCTION TEMPERATURE °F)

WATER TEMPERATURE	0			5			15			20		
	7/8"	1 1/8"	1 3/8"	7/8"	1 1/8"	1 3/8"	7/8"	1 1/8"	1 3/8"	7/8"	1 1/8"	1 3/8"
80 °F	26.9	29.4	26.5	24.5	26.5	23.9	17.1	18.2	16.3	12.9	13.6	12.2
70 °F	28.2	30.9	27.8	25.7	27.9	25.2	18.1	19.2	17.2	13.7	14.4	12.9
60 °F	29.7	32.6	29.4	27.1	29.5	26.6	19.2	20.3	18.3	14.6	15.3	13.7
50 °F	31.4	34.4	31.1	28.7	31.2	28.2	20.4	21.6	19.5	15.5	16.3	14.6

NOTE: STANDARD CAPACITY BASED ON SUCTION TEMPERATURE OF 10 °F AND AN AMBIENT (AIR) TEMPERATURE OF 50 °F

Vogt reserves the right to change designs and specifications without notice.

**Vogt**  
**Ice** LLC



**"ORDER BY 4:00 AND OUT THE DOOR!"**

5709 Harrison Ave. • Cincinnati, OH 45248

1.800.543.1581 • modernice.com