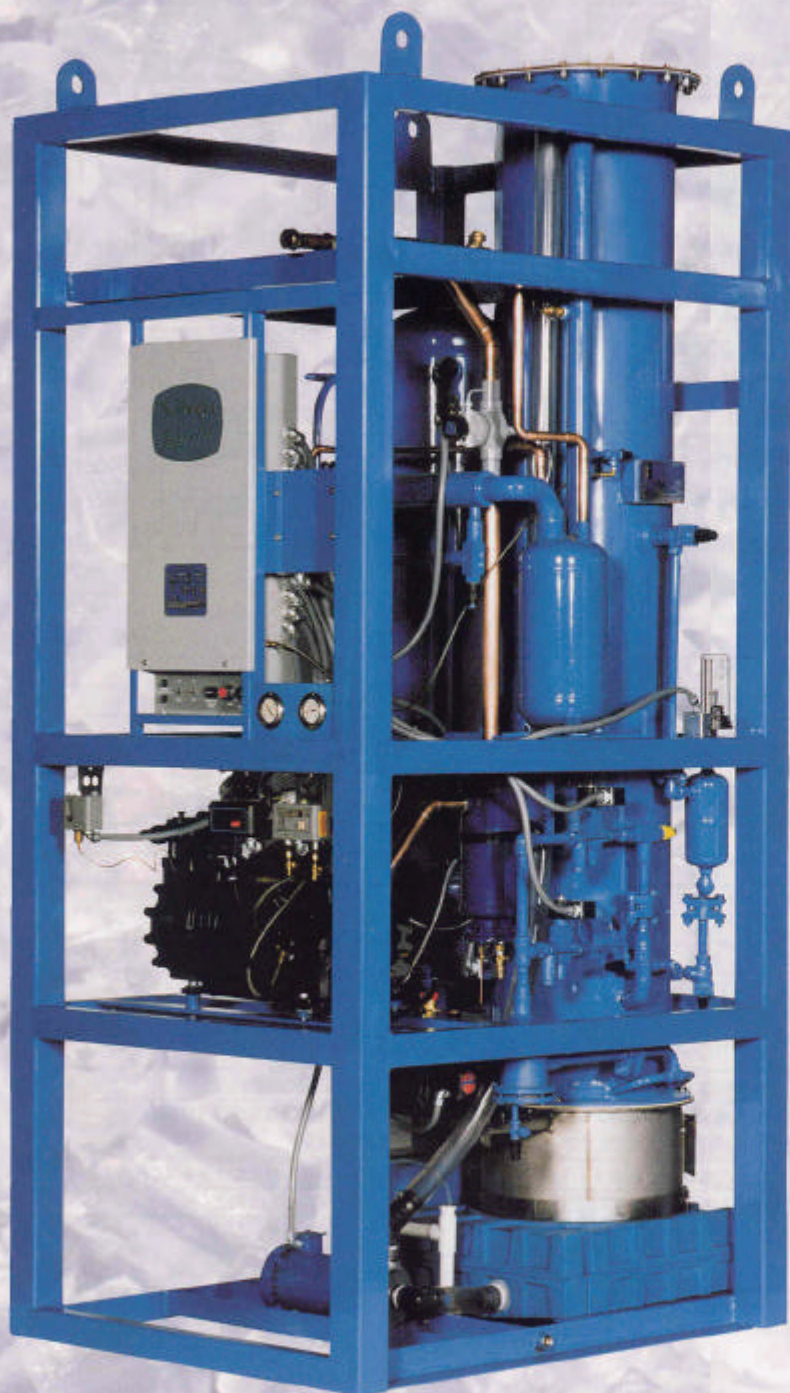


P18XT

Vogt Tube-Ice Machines



Standard Features

- 3 Ice Sizes:
7/8", 1 1/8", 1 3/8" diameter
- Up to 12 tons per day
- 25 Year Lifetime Factory Warranty*
- Self Contained Packaged Unit
- R-22 Refrigerant
- Small Footprint
- Controls U.L. Approved
- Highly Efficient Copeland Discus Compressor
- Industrial Steel Valves
- Low Side Float
- Structural Tubing Frame

Options

- Crushed Ice
- Air Cooled

*Please see your dealer for details.

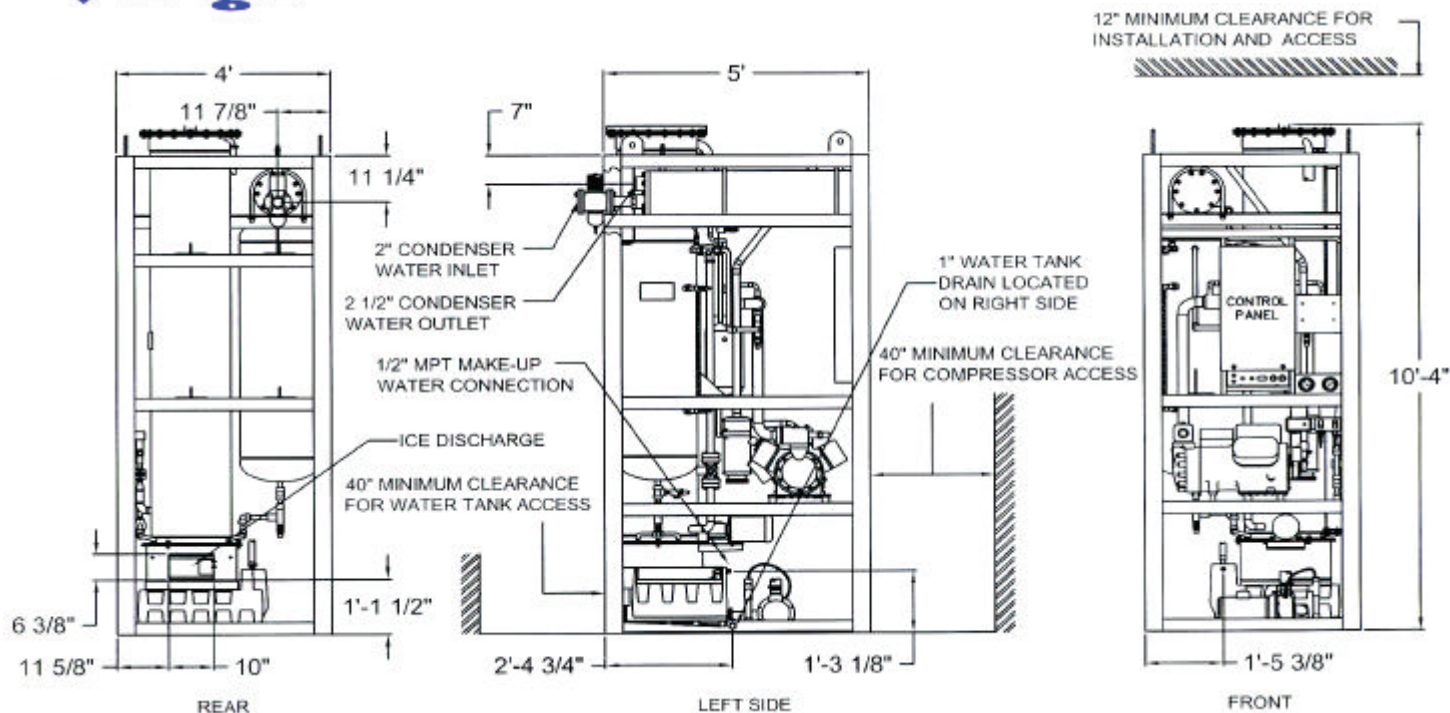
Vogt
Tube-Ice



"ORDER BY 4:00 AND OUT THE DOOR!"

5709 Harrison Ave. • Cincinnati, OH 45248
1.800.543.1581 • modernice.com

Vogt® Tube-Ice Machines



SPECIFICATIONS

WATER TEMPERATURE	MODEL P18XT-1"				MODEL P18XT-1 1/4"				MODEL P18XT-1 1/2"			
	CAPACITY LBS/24HRS	KWH PER 100 LBS	WATER REQUIREMENTS (GPM)		CAPACITY LBS/24HRS	KWH PER 100 LBS	WATER REQUIREMENTS (GPM)		CAPACITY LBS/24HRS	KWH PER 100 LBS	WATER REQUIREMENTS (GPM)	
			ICE MAKING GPH	CONDENSER GPM			ICE MAKING GPH	CONDENSER			ICE MAKING GPH	CONDENSER
90 °F	16600	3.15	1.93	110	15773	3.15	1.74	110	14500	3.56	1.68	110
80 °F	18300	3.03	2.14	34	17193	3.16	1.93	34	16000	3.42	1.86	34
70 °F	20000	2.84	2.35	17	18100	3.18	2.12	17	17500	3.21	2.04	17
60 °F	20600	2.58	2.42	12	19037	2.19	2.16	12	17900	2.92	2.09	12
50 °F	21200	2.30	2.49	9.5	19462	2.20	2.21	9.5	18300	2.60	2.14	9.5
WEIGHT	OPERATING: 4,900 LBS (2223 KG)				SHIPPING: 4,800 LBS (2177 KG)							
STANDARD ELECTRICAL REQUIREMENTS	113.1 F.L.A. WATER COOLED				130.1 F.L.A. AIR COOLED							
	208/230 VOLT 3 PHASE 60 HERTZ (OPTIONAL ELECTRICAL ARRANGEMENTS ON REQUEST)											
STANDARD CONDENSING UNIT	30 H.P. (HIGH EFFICIENCY, ENERGY SAVING COPELAND DISCUS COMPRESSOR)											
	STANDARD REFRIGERANT R-22 WITH SEMI-HERMETIC COMPRESSOR AND WATER COOLED TUBE											
	TYPE CONDENSER (REMOTE AIR COOLED CONDENSER OPTIONAL)											
ICE SIZE	CYLINDER 7/8" DIA X 1" LONG				CYLINDER 1 1/8" DIA X 1" LONG				CYLINDER 1 3/8" DIA X 1" LONG			
	CRUSHED ICE 3/16" TO 1/4" THICK CAN BE PRODUCED WITH MODIFICATION OF CUTTER											
NOTE: CAPACITY BASED ON AMBIENT (AIR) TEMPERATURE OF 90 °F MAKE-UP WATER INCLUDES 20% BLOWDOWN KWH BASED ON 60HZ OPERATION						FOR CRUSHED ICE MULTIPLY CAPACITY BY 1.04 AND KWH BY 0.96 ICE CAPACITY IS 5% LOWER FOR OPERATION ON 50 HERTZ CURRENT CAPACITY SHOWN IS THE AVERAGE (Individual machines may vary by ± 5%)						

Vogt reserves the right to change designs and specifications without notice.



"ORDER BY 4:00 AND OUT THE DOOR!"

5709 Harrison Ave. • Cincinnati, OH 45248 • 1.800.543.1581 • modernice.com